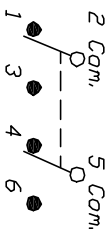


RECOMMENDED PCB LAYOUT

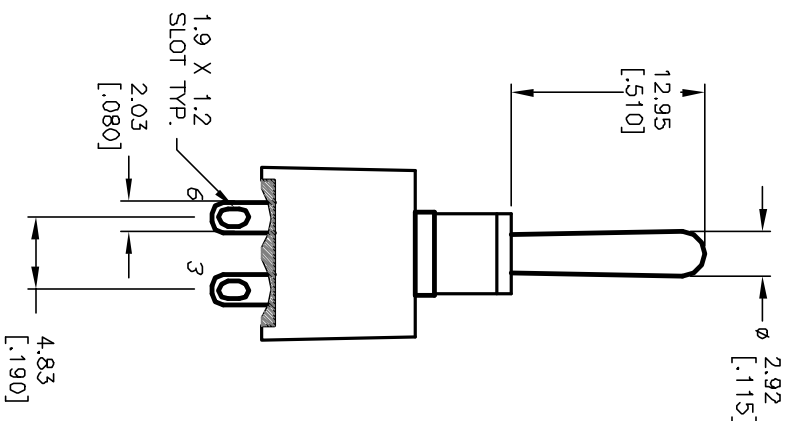
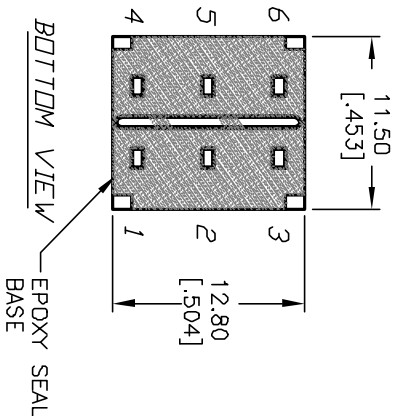
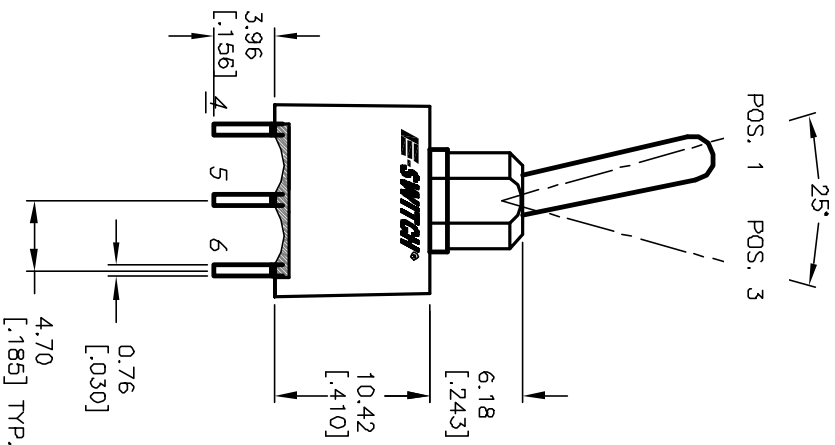
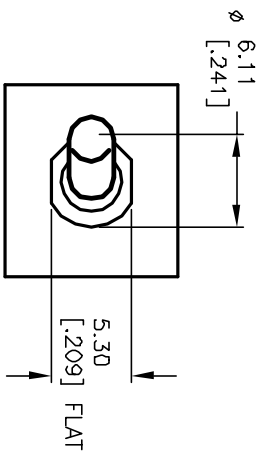


DPDT CIRCUIT CONTACT CONFIGURATION

SWITCH FUNCTION		
POS. 1	POS. 2	POS. 3
DN	NDNE	DN
2-3, 5-6	DPEN	2-1, 5-4

NOTES:

1. ALL DIMENSIONS IN MM [INCH]
2. GENERAL TOLERANCE: X.XX=±0.4 X.XXX=±0.25
3. TERMINAL NUMBERS FOR REF ONLY
4. RATING: 5A @120VAC or 28VDC
2A @250VAC (w/RESISTIVE LOAD)
5. FIXED TERM. & MOVING CONTACT:
Cu Alloy w/Silver plate
6. ELECTRIC LIFE: 40 000 make-and-break cycles
at full load.
7. INSULATION RESISTANCE: 1,000 Mega-ohm min.
8. DIELECTRIC STRENGTH: 1,000 V RMS @sea level.
9. OPERATING TEMP.: -30°C to 85°C



E-SWITCH®

REV.	ECN NO.	DESCRIPTION	DATE	CHK'D
A	12618	RELEASED FOR PRODUCTION	12/5/02	CB

TITLE	SCALE	DATE	DR	DWG	REV
100A WDP-1 T1 B4 M1 Q E	2:1	12/5/02	CB	T1022110	A

THE INFORMATION CONTAINED IN THIS DOCUMENT IS PRELIMINARY. E-SWITCH AND IS NOT TO BE COPIED OR TRANSMITTED.